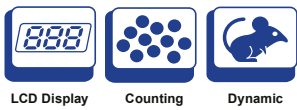


Precision Weighing Scale

TS 500 Series



- ▶ Successive Tare (T)
- ▶ Counting
- ▶ Freeze the Weight on the Screen with the HOLD Feature
- ▶ Saves Energy with Auto-Shutdown Feature
- ▶ Stainless Steel Pan
- ▶ Operates with 2 x 1,5V Batteries and with a Dc 5V1A Adapter

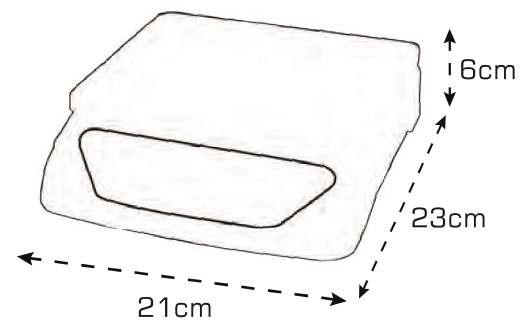


Model	TEM TS 500 Series Precision Weighing Scale
Maximum Capacity	25kg
Accuracy	1g
Display Type	6 Digits, 20mm LCD, Backlight
Battery	2 x 1,5V Battery
Power	110V - 230V AC, 50Hz
Units of Measurement	kg, g, lb, oz,
Pan Size	17,5cm x 21cm Stainless Steel Flat Pan
Packaging Dimensions	23,5cm x 24,5cm x 7cm
Gross Weight	1,185kg
Application/Usage Area	Office, Kitchen, Storage, Control
Keypad	4 Keys (On/Off, T, Mode, PCS)
Successive Tare	Yes (T)
Counting	Yes

PAN OPTIONS



DIMENSIONS



Product Code	Capacity (kg)	Accuracy (g)	Pan Size (cm)	Scale Dimensions (WxLxH)(cm)	Scale Weight (kg)	Number of the Scales in the Box
XTSFTS500-1	25	1	17,5x22	21x23x6	0,875	20

